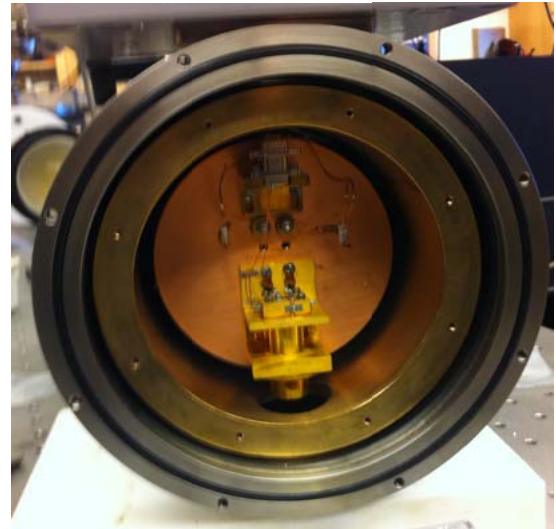


“DRY” Bolometer
<4K Low Vibration Closed Cycle Interface

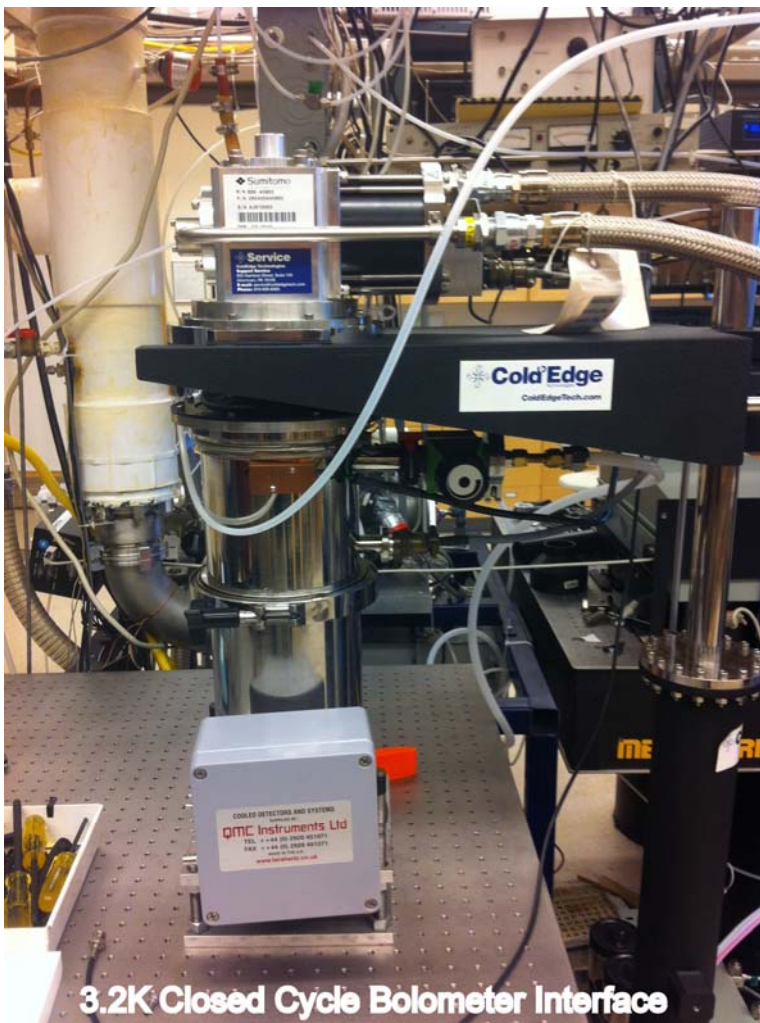
905 Harrison Street
Suite 134
Allentown, PA 18103
Phone/Fax: 610-628-6363

No Liquid Helium or LN2 Required

- **Run 24 hours a day 7 days a week cryogen free**
 - Perfect for industrial applications where the liquid cryogens are not allowed.
 - No waiting for expensive liquid helium to be delivered—just turn the system on and few hours later system is ready to collect data.
 - Hands free operation once system is cold
- **Upgrade your current dewar helium based Bolometer detector system or buy a new detector.**
 - You provide the detector mounting details to us and we will customize the detector cold plate, 45K radiation shield and electronics box mount to your specifications
 - Filter wheel control actuators can be incorporated if required



Custom Mounting Cold Sur-



3.2K Closed Cycle Bolometer Interface

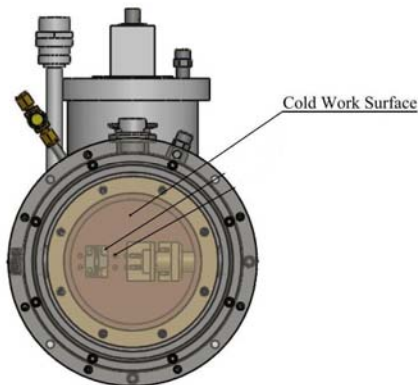
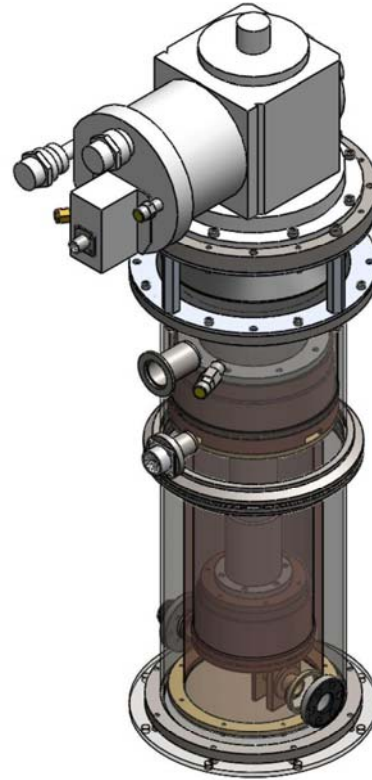
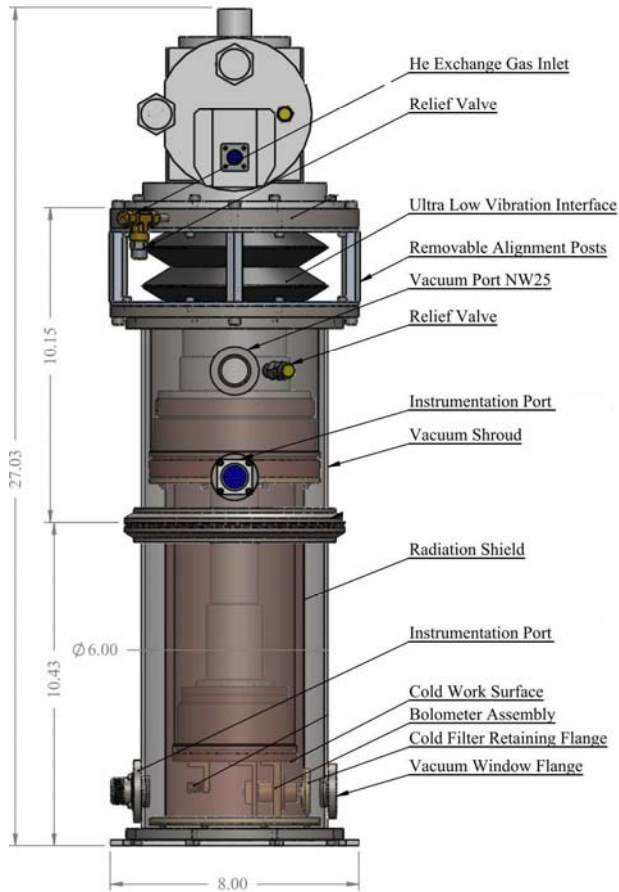
- **Vibration dampening interface which provides <20 nanometer displacement at detector cold plate**
- **<3.4K or 4.3K closed cycle cryocooler options available**
- **GM or Pulse Tube (water or air cooled) Cryocoolers provide the cooling engine**
- **Base temperature readout and temperature control provided**



“DRY” Bolometer
<4K Low Vibration Closed Cycle Interface

905 Harrison Street
 Suite 134
 Allentown, PA 18103
 Phone/Fax: 610-628-6363

No Liquid Helium or LN2 Required



- All systems are fully assembled & tested prior to shipment and detailed performance test data is supplied.
- ColdEdge supplies complete systems with vacuum enclosures, radiation shields, sample holders, windows, temperature sensors, heaters, extra experimental wire leads and feed throughs (UHV, SMA, coax & other), temperature controllers, vacuum pump systems, sample manipulation attachments, low vibration CCR interfaces and many other additional options.
- Custom interfaces available—send us your sketch