

## 4K, 6K & 10K Closed Cycle Cryostats

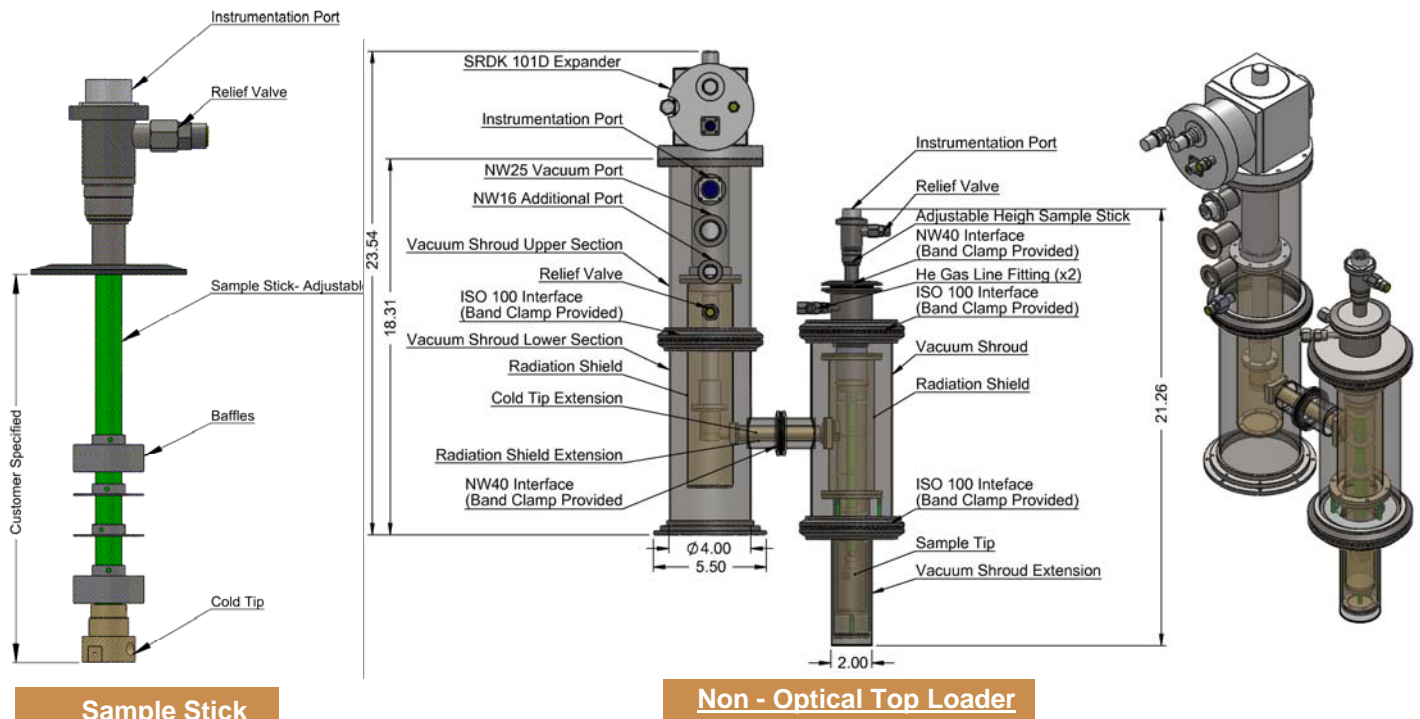
905 Harrison Street  
Suite 134  
Allentown, PA 18103  
Phone/Fax: 610-628-6363

### Top Loading - Sample in Vapor

- ColdEdge provides a wide range of sample in vapor top loading systems that can be customized as needed to work with the researcher's experiment.
- A wide range of Pulse Tube and GM closed cycle coolers are offered by ColdEdge so that the customer can select the best coolers that meets their need.
- Modular design allows easily interchangeable vacuum enclosures for multiple applications and the use of nearly any cryocooler.
- ColdEdge supplies complete systems with vacuum enclosures, radiation shields, sample holders, windows, temperature sensors, heaters, extra experimental wire leads and feed throughs (UHV, SMA, coax & other), temperature controllers, vacuum pump systems, sample manipulation attachments, low vibration CCR interfaces and many other additional options.
- Vibration dampening interface which provides <10 nanometer displacement at sample available.
- All systems are fully tested assembled prior to shipment and detailed performance test data is supplied.

### Features

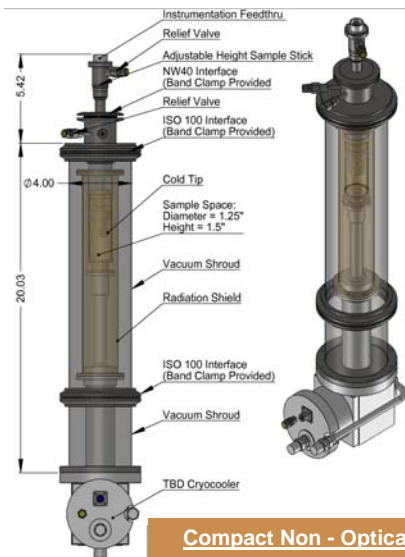
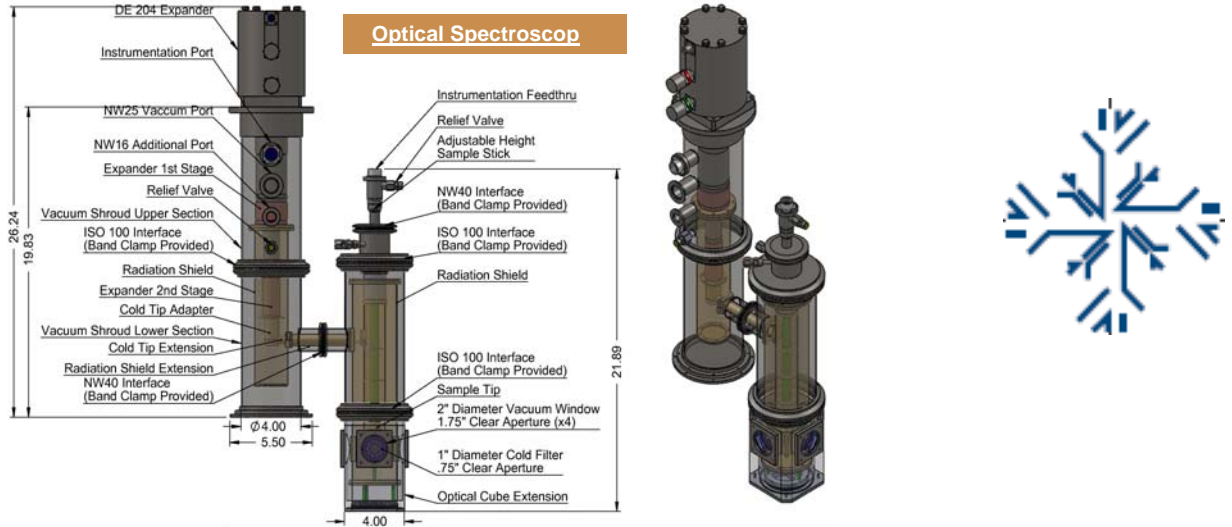
- *Cooling for non-conductive or irregularly - shaped samples.*
- *Isothermal static Helium gas sample area.*
- *Rapid sample changes.*
- *Up to 2 inch diameter samples.*
- *Interchangeable vacuum shroud tails for multiple applications.*
  - *Optical*
  - *Non-Optical (electrical)*
  - *Biological Sample Cooling*
  - *Magnetic Properties*
  - *Neutron Scattering*



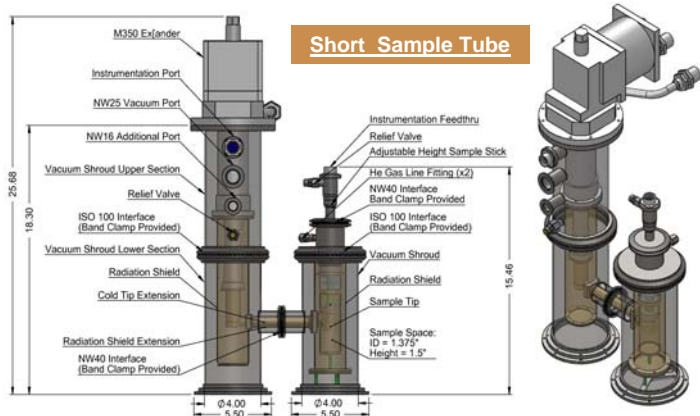
# 4K, 6K & 10K Closed Cycle Cryostats

## Top Loading - Sample in Vapor




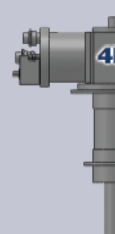

905 Harrison Street  
Suite 134  
Allentown, PA 18103  
Phone/Fax: 610-628-6363



**Compact Non - Optical**



**Short Sample Tube**

SRDK-101D <3K - 325K	CTI-M350 <10K - 325K	Displex®-204 <10K - 325K	SRDK-408D <3K - 325K	SRP-062B <3K - 325K
				

**Pulse Tube**

*Select the Cryocooler that best fits your needs! ColdEdge supplies and services the following cryocoolers*

- Displex®\*
- CTI Cryodyne
- SHI Cryogenics of America
- Other popular brands