

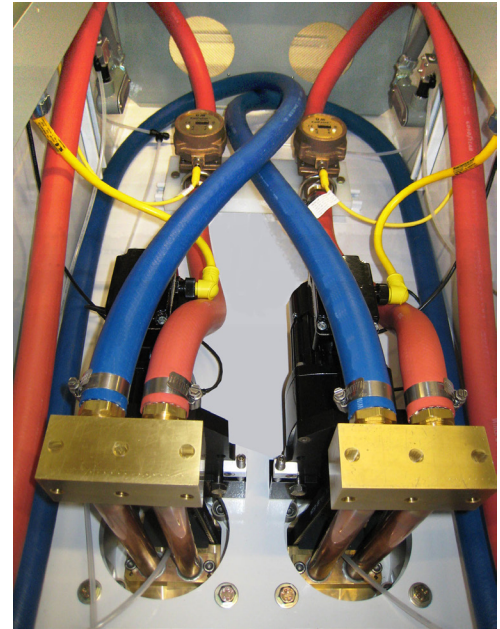
# End Block Upgrades

SCI offers direct end block bolt-in replacements for the following major OEMs:

- Von Ardenne®<sup>1</sup>
- Applied Materials®<sup>2</sup>
- BOC/Airco®<sup>3</sup>
- Bekaert®<sup>4</sup>
- Leybold Optics

Your lids can be sent to our facility for retrofit or we will provide you with components for field upgrades. Trained technicians are also available to help you with your installation.

The upgraded systems remain compatible with your existing control system.



NO.	MFG/PUR	ITEM #	Model Number	Description	QTY.	ASM
1		101657	SCB-P1038-ASM-A	SC END BLOCK LEFT ASM, P1038	1	
2		102938		SC END BLOCK RIGHT ASM, P1038	1	
3		101837	SC58D-P1038-ASM-A	TARGET ENDCAP ASM, P1138	2	
4		101839		SC BNLL OUTBOARD ASM, P1038	2	
5		101672	CK5VA-ASM-A	SCI - VAAT TARGET CLAMP ASM	4	
6		101850	SCDA31-P1038-ASM-B	SC DRIVE ASSEMBLY, P1038	2	
7		101676	SCD00-P1038-ASM-A	SC292 DARK SPACE SHIELD ASM, P1038	2	
8		101841	SC5-P1038	SC5-P1038 OUTBOARD BASE	1	
9		101842	SC9-P1038	SC DRIVE MOUNTING BRACKET, P1038	1	
10		101481	WBSHNG-P1038	170 MOUNTING BOLT BUSHING	12	
11	PUR	101591	M12X1.75X50HNCSS	M12 X 1.75 X 50 HNCSS	16	
12		101482	SFA-P1038	MAGNET BAR SUPPORT FLNG ADPTR,P1038	2	
13	PUR	101598	-215	-215 O-RING	4	
14		101848	SCFNP11-117-ASM-A	SC PWRWTR, 1"HOSE, 1"NP1, 177	2	
15	PUR	100101	-350	-350 O-RING, VITON	4	
16	PUR	100100	-369	-369 O-RING, VITON	2	

**UNLESS OTHERWISE SPECIFIED:**

**BREAK ALL CORNERS .015 typ.**

imperial	metric
X.O = ± .030	X.O = ± 1
0.X = ± .015	0.X = ± .5
0.XX = ± .010	0.XX = ± .25
0.XXX = ± .005	0.XXX = ± .125

DO NOT SCALE DRAWING

**SPUTTERING COMPONENTS, INC.**

375 Alexander Dr. SW, Owatonna, MN 55060

CONFIDENTIAL: UNAUTHORIZED USE, MANUFACTURE OR REPRODUCTION IN WHOLE OR IN PART IS PROHIBITED.

PROPRIETARY TO: SPUTTERING COMPONENTS, INC.

TITLE: SC ASSEMBLY, SPUTTER DOWN, P1060

WEIGHT	SIZE	DATE DRAWN	PART NO.	SCALE	REV
	<b>B</b>	12/21/2010	101834	1:5	<b>A</b>
DRAWN BY: MICHELLE NEAL			MOD NO. SCG-P1060D		
	MATERIAL:		FINISH:		

SHEET 1 OF 1

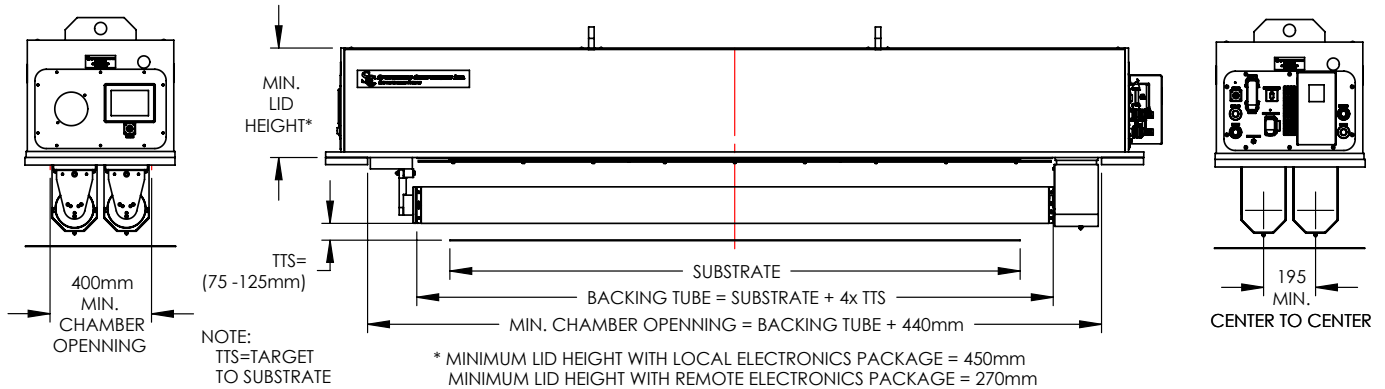
End block upgrade kit for new generation Von Ardenne®<sup>1</sup> Coaters

<sup>1</sup> Von Ardenne® is a registered trademark of Von Ardenne Anlagentechnik GmbH.  
<sup>2</sup> Applied Materials® is a registered trademark of Applied Materials, Inc.

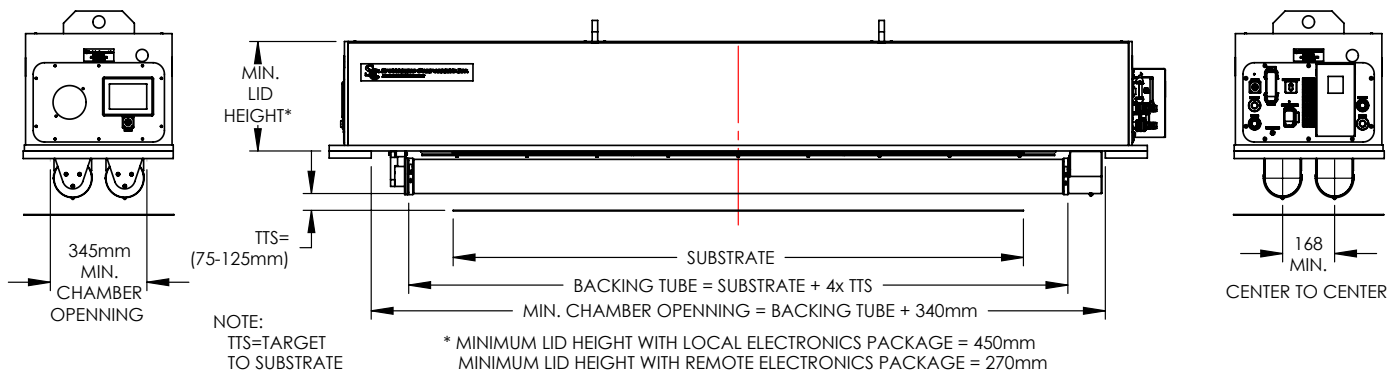
<sup>3</sup> BOC® and Airco® are registered trademarks of The BOC Group, Inc.  
<sup>4</sup> Bekaert® is a registered trademark of N.V. BEKAERT S.A. PUBLIC LIMITED COMPANY BELGIUM

The e-Cathode™ is a complete cathode solution. SCI e-Cathode™ lid systems are available in digital and analog styles and are adaptable to meet your needs.

## SC Model Lid Dimensional Information



## MC Model Lid Dimensional Information



Feature	Digital e-Cathode™	Analog e-Cathode™	Basic e-Cathode™
Onboard logic	PLC	Relay	None
Interlocks	Full	Full	HV Only
Control	Local (touch screen) Remote (Ethernet, Profibus, etc.)	Local (lights, switches) Remote (discrete I/O)	All sensors wired to the connector
Water Flow	Flow rate (LPM) report	Flow switch	Customer supplied, external
Water Temperature	Water temp report	No	No
Onboard MFC Option	Yes	No	No
Differential pumping Option	Yes	Yes	Yes
Customizable	Yes (operating hours, kWh, etc.)	No	No