

**FEATURES:**

- Patented power-delivery technology
- Unique target attachment method
- Durable, long-life rotary seals
- Compact design
- Non-proprietary target design
- Patented target water fill/drain feature



Patented MC-Series End Block

**BENEFITS:**

- Highest reliability
- Easy to install
- Fastest target change available
- 1 hour annual maintenance
- 3 hour total end block rebuild
- Lowest maintenance cost
- Use targets from any vendor
- No inductive heating impact
- No galvanic corrosion

**FEATURES - Revision D:**

- Wider drive belt allows longer, heavier targets
- Improved insulator with grounded base enhances reliability and heat capability
- Magnet bar can be set to any angle
- Water dam to eliminate damage from external water leaks
- All MCs fit the same hole pattern

**NEW SYSTEM INSTALLATIONS:**

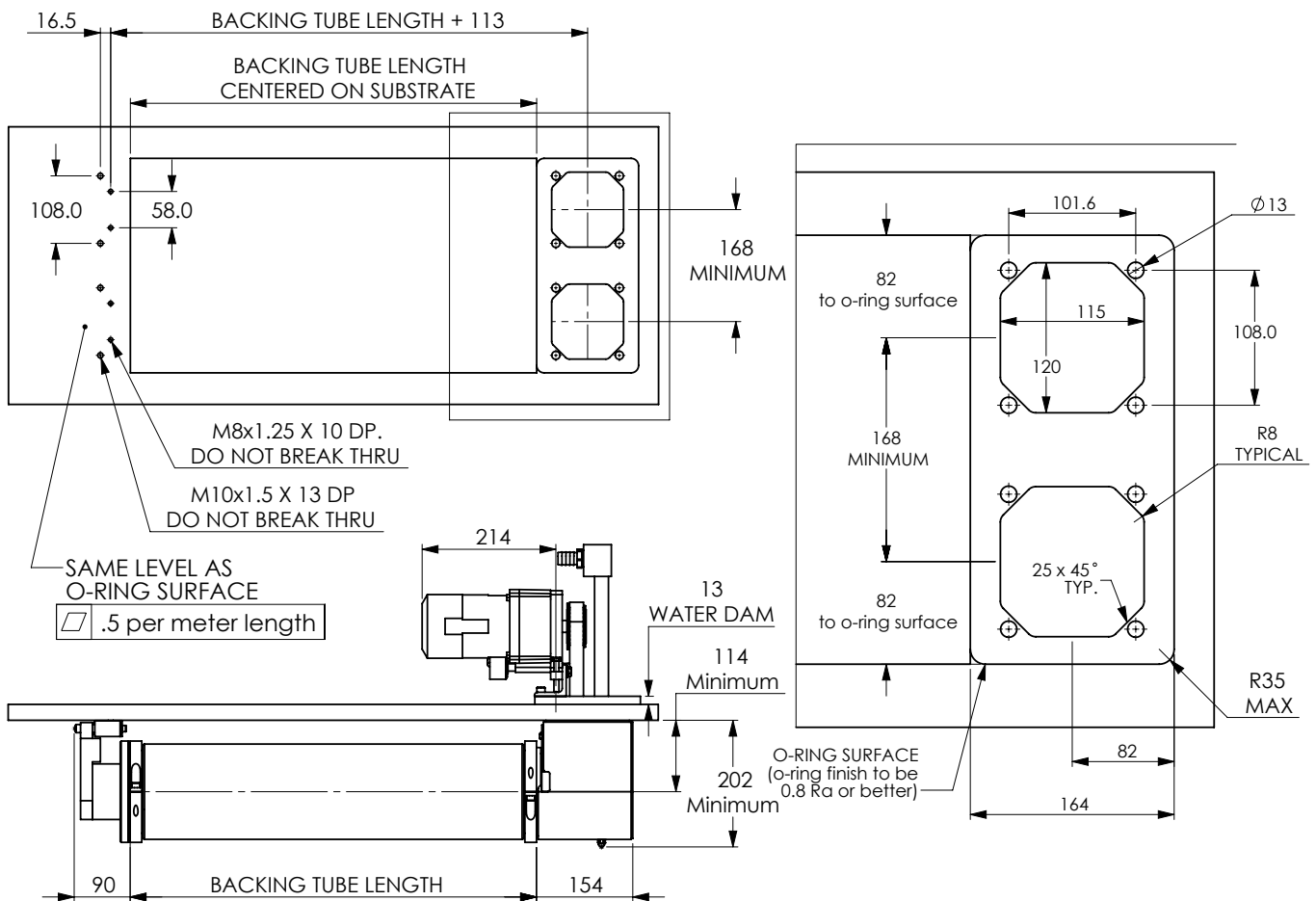
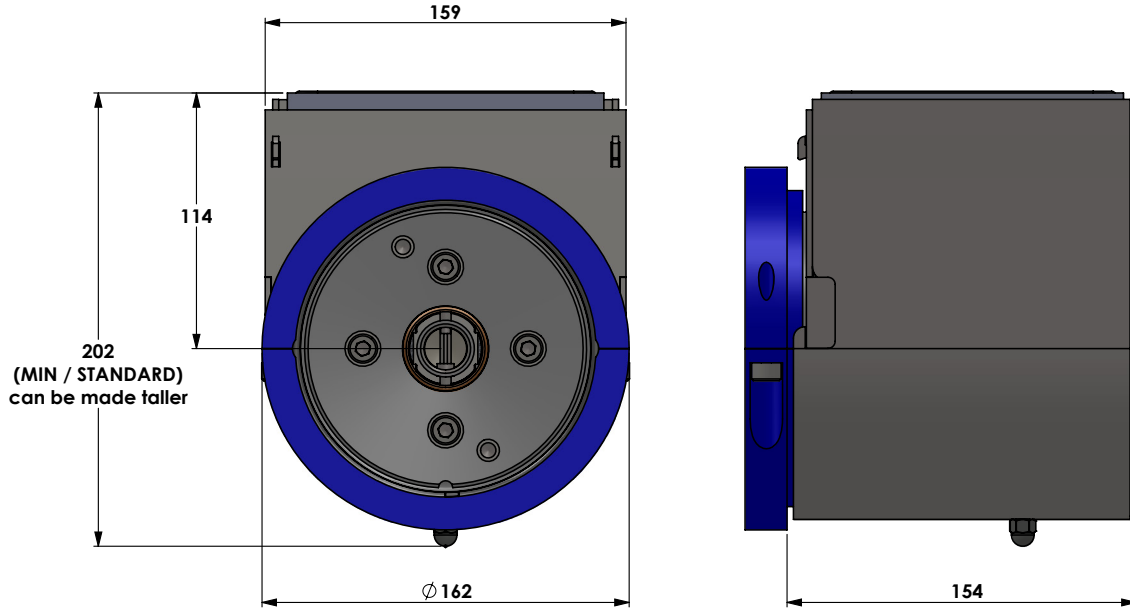
- Available as individual end blocks, end blocks plus the TRM-Bar™ or QRM-Bar™ magnetics, or complete e-Cathode™ systems with drive and utilities - ready to drop-in

**UPGRADE PLANARS TO ROTARIES:**

- Increase the output and quality of your existing coater without adding chambers
- Coater modification and integration support available

| Model | Power                         | V/A        | Target (mm) |
|-------|-------------------------------|------------|-------------|
| MC    | Up to 100kW DC or 80 kHz MFAC | 1000v/225A | Up to 2500  |

The MC-Series end block provides high-performance and reliability in a compact design



**MCD MOUNTING HOLE DIMENSIONS**

TOLERANCES  
 XXXmm = ± 1.0mm  
 XXX.Xmm = ± 0.1mm