

SCI provides OEM equipment builders complete turn-key solutions, ready to interface with their systems. SCI can customize these solutions to provide as much controls integration as desired onboard the e-Cathode™.



OEM Digital e-Cathode™

## **DIGITAL AND ANALOG FEATURES:**

- Local and remote control
- Optional MFC, gas bar, and anode integration
- Full safety interlocks
- Customized discrete I/O connector
- High voltage, quick disconnect included
- User defined target-to-substrate distance

## **DIGITAL ONLY FEATURES:**

- Integrated PLC and touch panel
- Real-time monitoring
- Advanced parameter monitoring
- Communicates via Ethernet profibus, DH+ and more

## **ANALOG ONLY FEATURES:**

- Analog control interface
- Basic parameter monitoring

## **BENEFITS:**

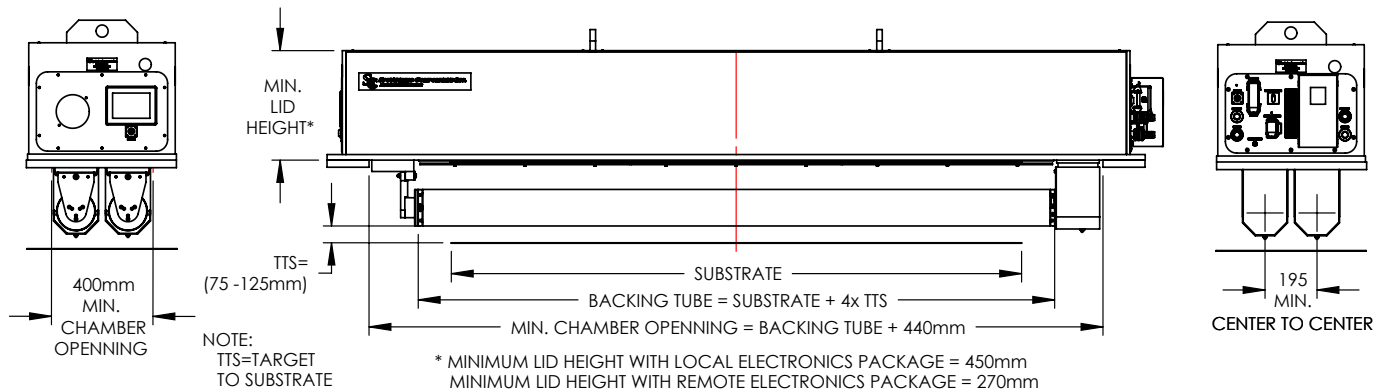
- Speeds system design and integration
- Reduce cabling requirements



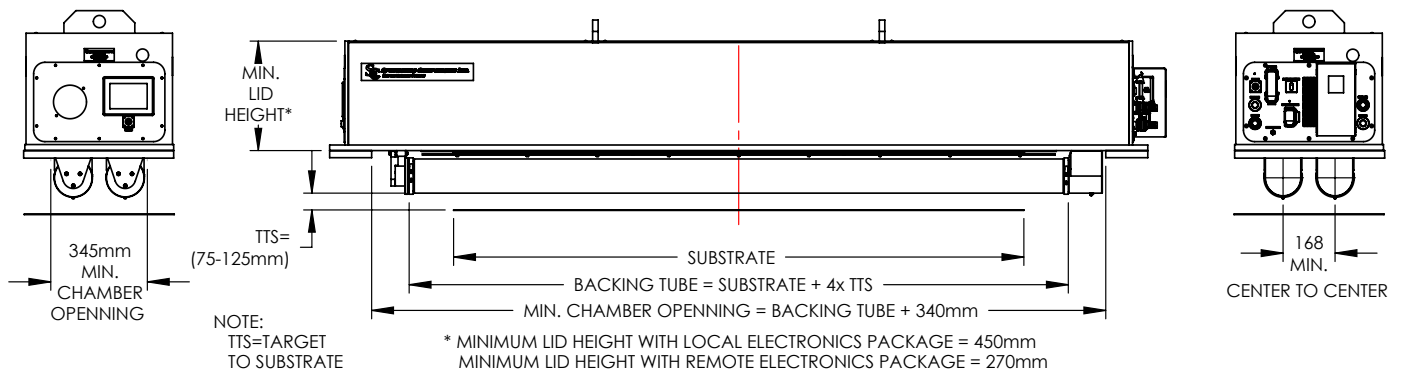
OEM Analog e-Cathode™

The e-Cathode™ is a complete cathode solution. SCI e-Cathode™ systems are available in digital and analog styles and are adaptable to meet your needs.

## SC Model Lid Dimensional Information



## MC Model Lid Dimensional Information



Feature	Digital e-Cathode™	Analog e-Cathode™	Basic e-Cathode™
Onboard logic	PLC	Relay	None
Interlocks	Full	Full	HV Only
Control	Local (touch screen) Remote (Ethernet, Profibus, etc.)	Local (lights, switches) Remote (discrete I/O)	All sensors wired to the connector
Water Flow	Flow rate (LPM) report	Flow switch	Customer supplied, external
Water Temperature	Water temp report	No	No
Onboard MFC Option	Yes	No	No
Differential Pumping Option	Yes	Yes	Yes
Customizable	Yes (operating hours, kWh, etc.)	No	No