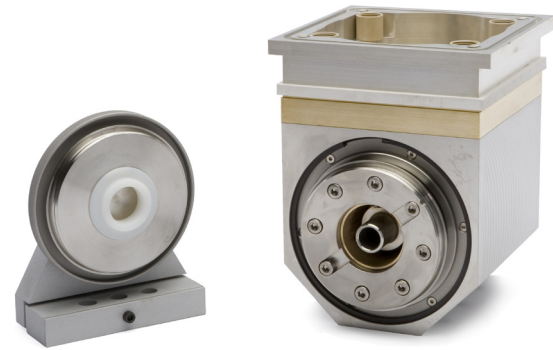


FEATURES:

- Patented power-delivery technology
- Unique target attachment method
- Durable, long-life rotary seals
- Industry standard mounting to lid
- Non-proprietary target design
- Patented water fill/drain feature



Patented SC-Series End Block

BENEFITS:

- Highest reliability on the market
- Easy to install or retrofit from competitor endblocks
- Fastest target change available
- 1 hour annual maintenance
- 3 hour total end block rebuild
- Lowest maintenance cost
- Use targets from any vendor
- No inductive heating impact
- No galvanic corrosion

RETROFIT:

- No lid modifications required
- Use existing utilities
- No changes to power, gas, or anodes
- Keep your current magnet assemblies or upgrade to the TRM-Bar™ or QRM-Bar™ magnetics
- Adaptable to your current target design
- Use for any length system

NEW SYSTEM INSTALLATIONS:

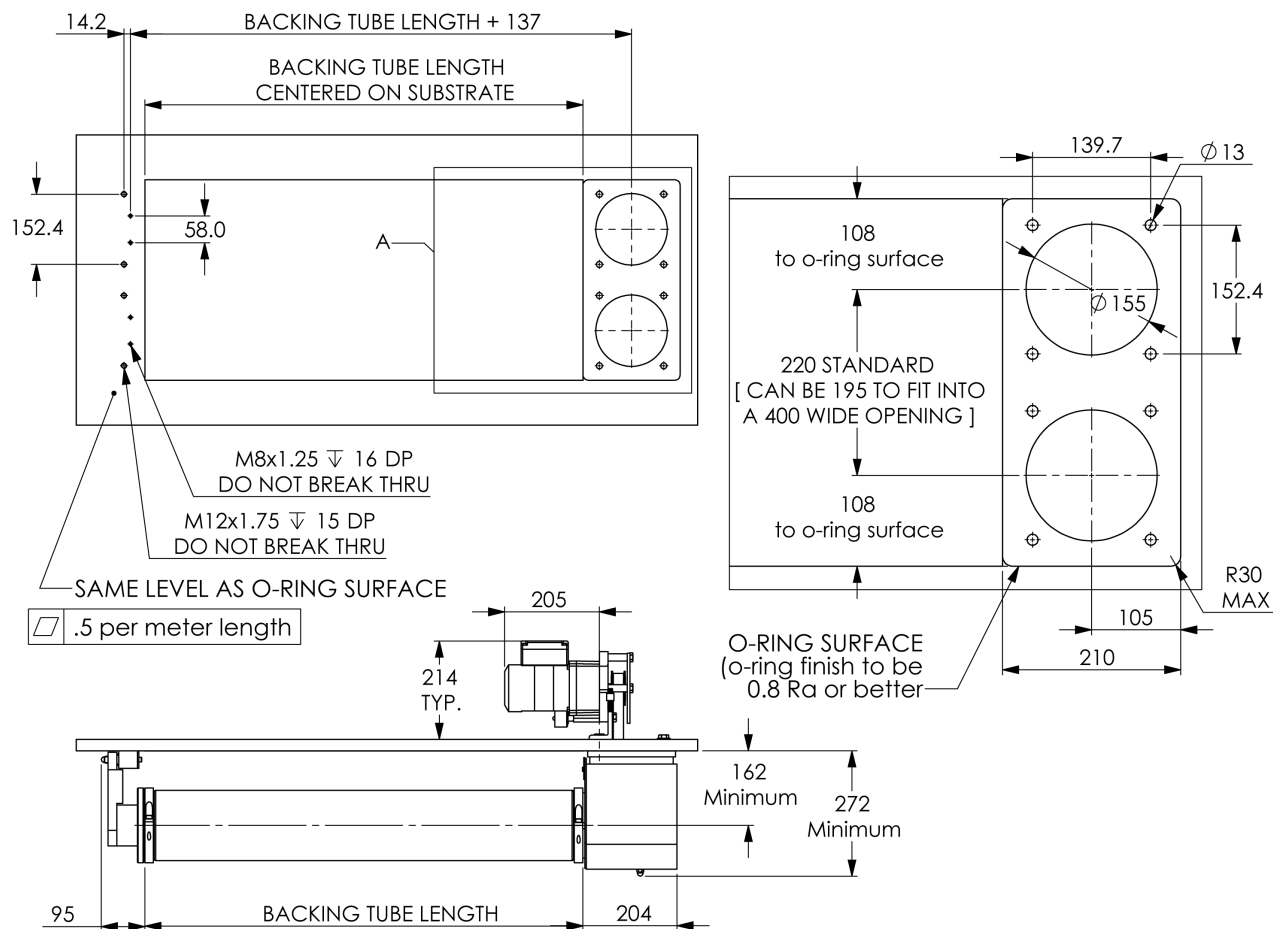
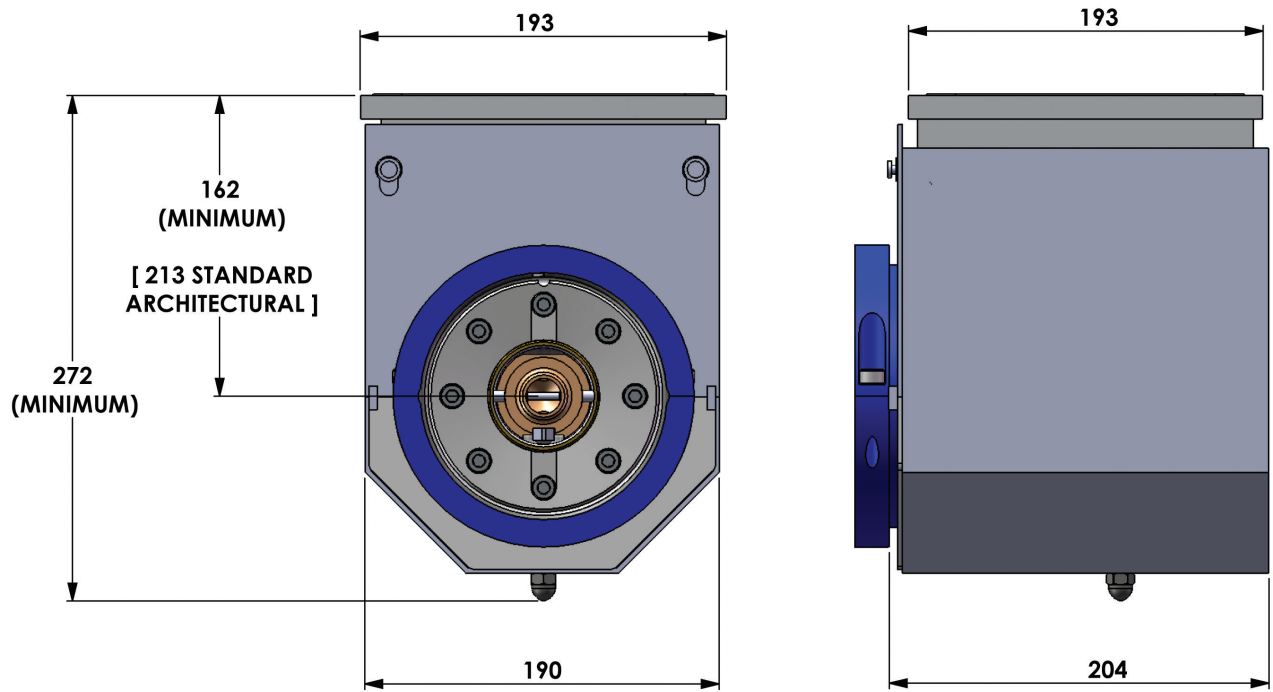
- Available as individual end blocks, end blocks plus the TRM-Bar™ or QRM-Bar™ magnetics, or complete e-Cathode™ systems with drive and utilities ready to drop-in

UPGRADE PLANARS TO ROTARIES:

- Increase the output and quality of your existing coater without adding chambers
- Coater modification and integration support available

Model	Power	V/A	Target (mm)
SC	Up to 200kW DC or 80 kHz MFAC	1000v/450A	Up to 4000

The industry-standard size SC-Series end block is the lowest cost, highest power, and most reliable end block available.



SC MOUNTING HOLE DIMENSIONS - NEW INSTALL

TOLERANCES
 XXXmm = ± 1.0mm
 XXX.Xmm = ± 0.1mm