

FEATURES:

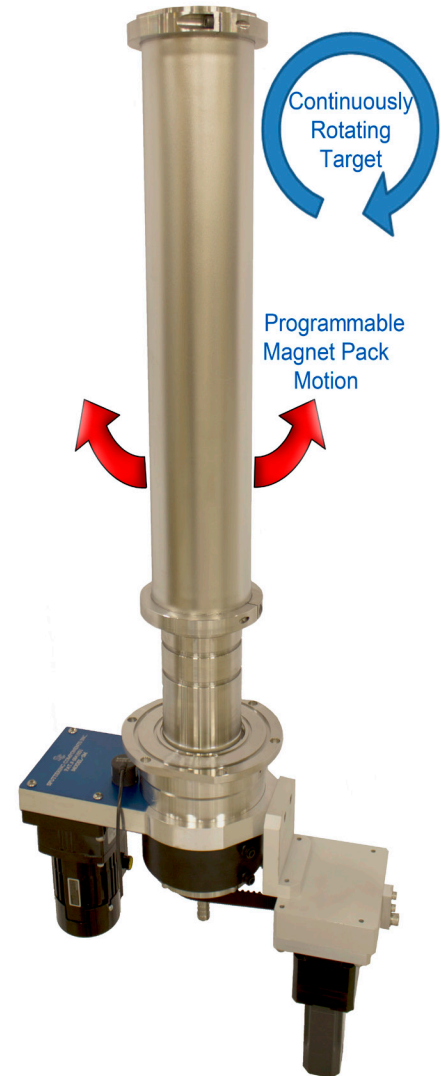
- Designed to coat static substrates using a programmable magnet pack swing motion
- Customizable drive shaft length
- Compact and flexible form factor
- Easy access water seal cartridge
- Patented power-delivery technology
- Simple design - fewer parts
- Patented target water fill/drain feature

BENEFITS:

- Ideal for display or 3D part coating
- High-packing density; dual cathodes in a 400mm space (205mm center-to-center)
- All utilities are external and remain attached during target changeover
- High-power with no inductive heating impact
- No brush dust
- Simple, in-house maintenance
- Keeps your coater dry during target changes, which reduces pump time and stabilizes your process much faster

NEW SYSTEM INSTALLATIONS:

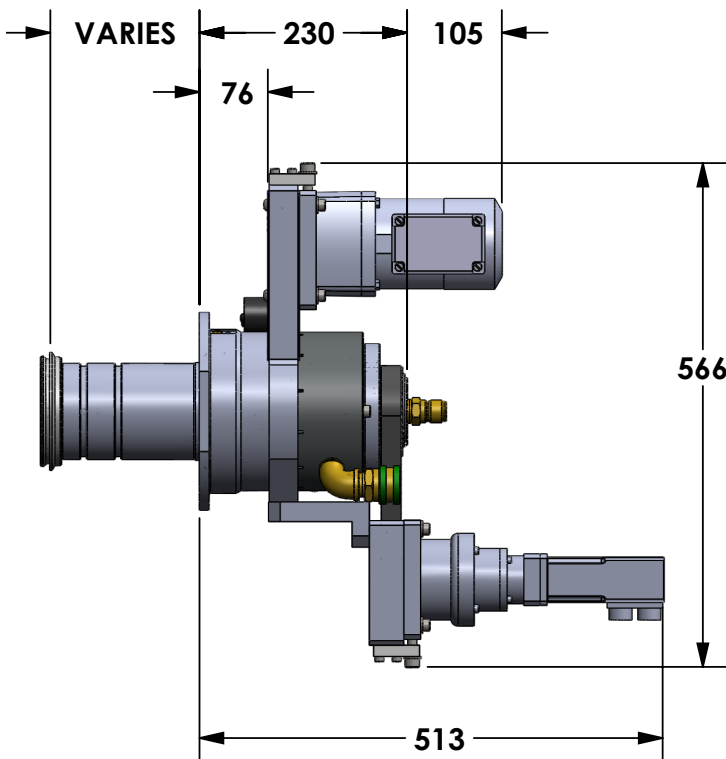
- Coater modification and integration support available
- Our compact design allows chamber design flexibility and the ability to install more cathodes in your system
- Integrate with TRM-Bar™ or QRM-Bar™ magnetics and e-Cathode™ systems



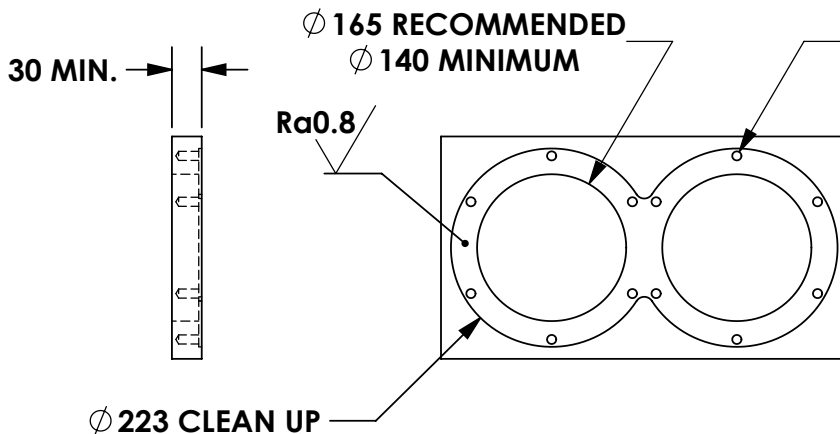
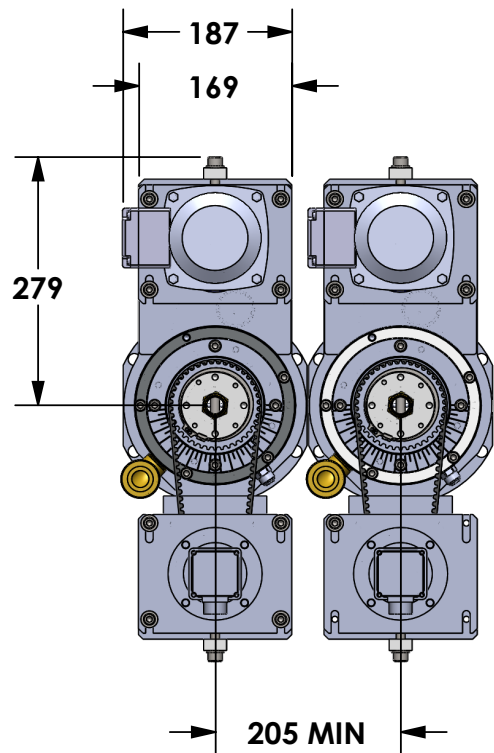
Patented Short Bottom Mount
Swing Cathode™

Model	Power	V/A	Target (mm)
SBMS	Up to 200kW DC or 80 kHz AC	1000v/450A	Up to 4000

The SBMS-Series Swing Mount Rotary Cathode uses the same patented technology as our SC-Series end block to deliver outstanding value, performance, and reliability in a compact package



NOTE: POSITION AND SIZE OF SERVO MAY VARY



6X $\text{Ø } 10.20 \nabla 22$
 M12X1.75 $\nabla 18$
 ON A $\text{Ø } 206.40$ BC
 DO NOT BREAK THRU

NOTE: THICKER THAN 30mm PLATE IS RECOMMENDED TO INCLUDE A PILOT BORE FOR THE CATHODE.