

FEATURES:

- Patented power-delivery technology
- Unique target attachment method
- Durable, long-life rotary seals
- Most compact design available
- Non-proprietary target design
- Patented target water fill/drain feature
- Fits standard target sizes

BENEFITS:

- Excellent reliability
- Simple to install
- Fast target change
- 2 hour annual maintenance
- 3 hour total end block rebuild
- Very low maintenance cost
- Use targets from any vendor
- No inductive heating impact
- No galvanic corrosion
- No special target size needed

NEW SYSTEM INSTALLATIONS:

- Available as individual end blocks using SCI's TRM-Bar™ or QRM-Bar™ magnetics or as a complete e-Cathode™ system with drive and utilities ready to drop-in



Patented TC-Series End Block

UPGRADE PLANARS TO ROTARIES:

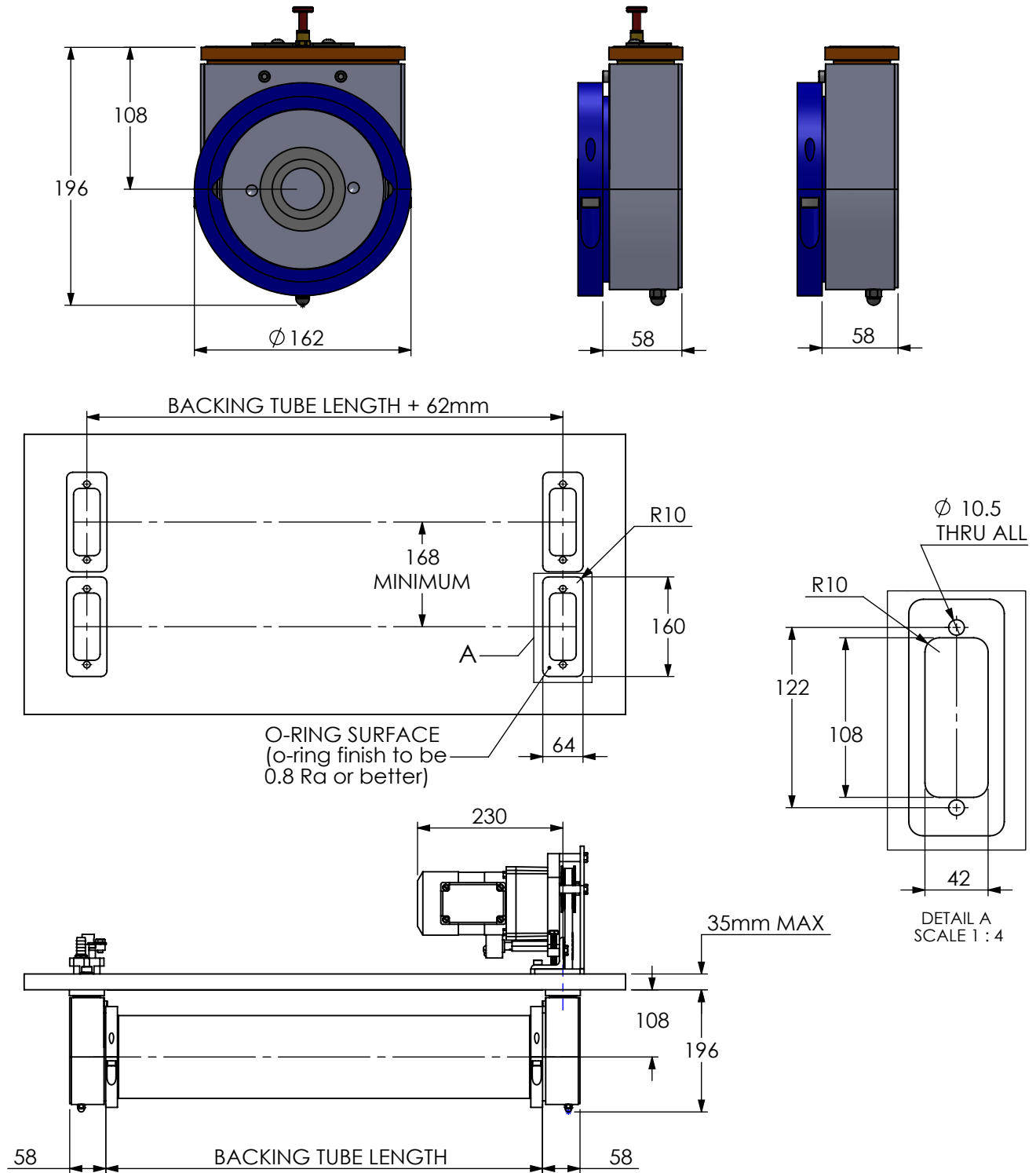
- Increase the output and quality of your existing coater without adding chambers
- Coater modification and integration support available

Model	Power	V/A	Target (mm)
TC	Up to 40kW DC or 80 kHz MFAC	1000v/100A	Up to 1500mm

TC-Series End Block



The TC-Series end block combines high-performance and reliability in an very compact design



TC MOUNTING HOLE DIMENSIONS

TOLERANCES
 XXXmm = ± 1.0 mm
 XXX.Xmm = ± 0.1 mm